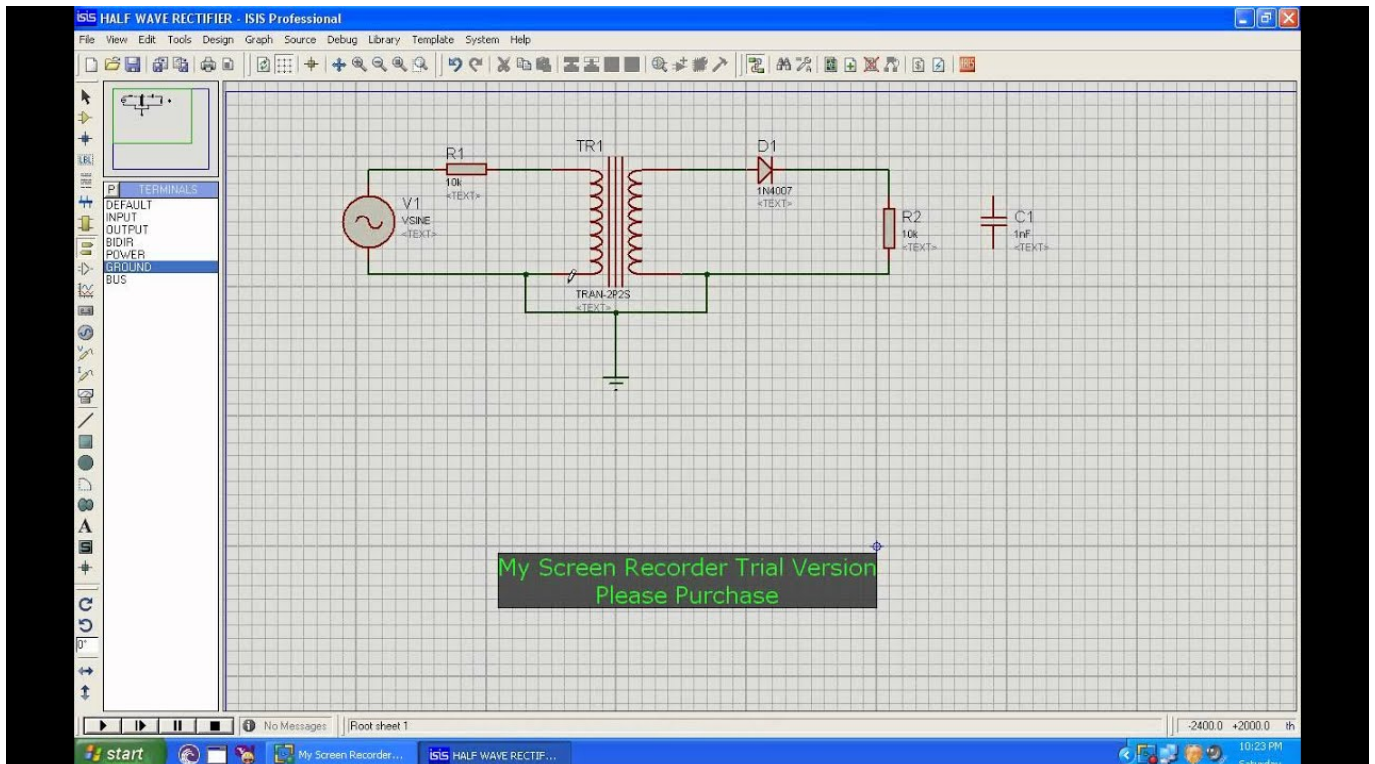


DOWNLOAD



[Download Isis Proteus 7.8 Torrent](#)



[Download Isis Proteus 7.8 Torrent](#)

DOWNLOAD



20 dez. 2016 . Download Proteus + Key + Crack [TODAS VERSES] . ISIS - ARES COMPLETO + LICENSE + CRACK.
Proteus . Proteus (version 7.8 SP2).. Proteus Design Suite by Labcenter Electronics, leading EDA software including schematic capture, advanced simulation, PCB autorouting, MCAD integration.. " Download: test.ru c ai crack dc ko b con Thm bn proteus sp0 cho bn no cn Proteus SP2 Full + Key + Crack + HD setup (MF). May 25, Free isis.. 28 Sep 2014 - 7 min - Uploaded by AlpergnenProteus 7.8 programn linki . How to install and crack Proteus 7.8 . How To Install .. 16 maio 2018 . Proteus 7.7 Sp2 Full Key Crack-torrent.zip - DOWNLOAD (Mirror #1) d77fe87ee0 Share & Connect with Your Friends. A nova verso do Proteus.. Download Proteus Design Suite by Labcenter Electronics. Drivers, tutorials and information on the latest features are also available.. 9 Oct 2017 - 3 min - Uploaded by Mehedi Hasan AsifHi viewers ! Thanks for watching if you have any query comment below. Software LInk: .. 27 Sep 2017 - 6 min - Uploaded by Hi TechDownload Link: ProteusISIS7Professionalsp2 .. download any library then extract then copy then go your c drive and go microelectronica folder and find library folder then past. open your Proteus and update.. Selection of software according to "Isis proteus 7.8 portable torrent" topic. . This piece of software helps you download torrent files with an impressive speed. 36bd677678

[goblin tyler the creator free download zip](#)

[wilcom embroidery studio e3 full crack kid](#)

[pthe collection 2013](#)

[fumefx for 3ds max 2015](#)

[descargar u torrent sonivox reggaeton full gratis](#)